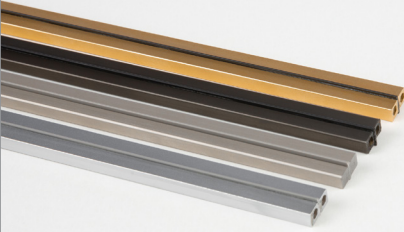
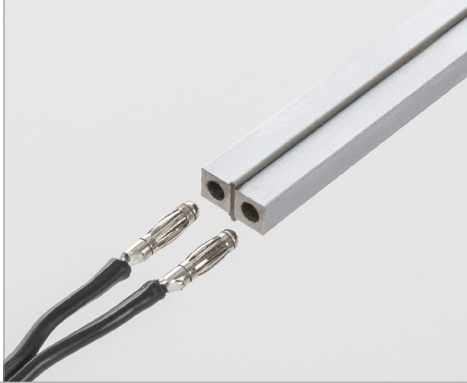

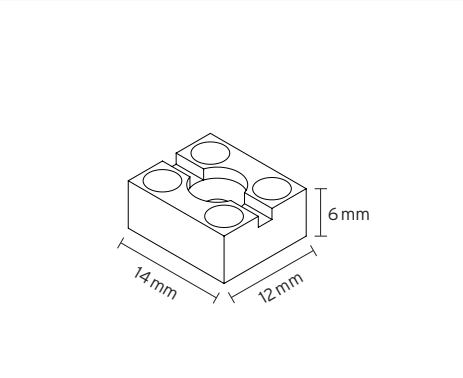

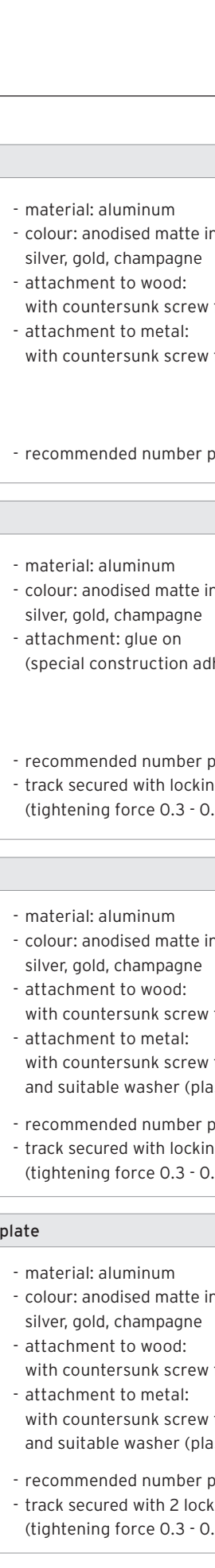

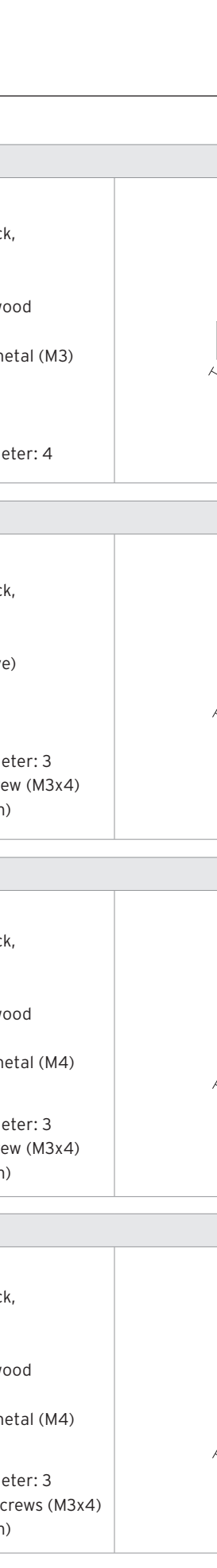


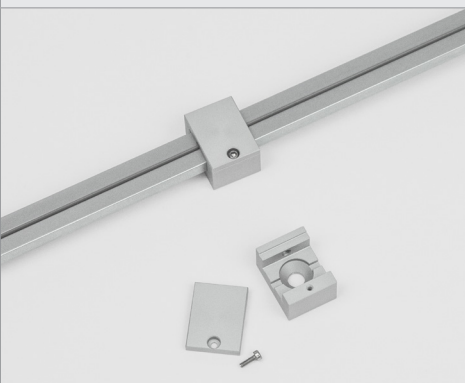
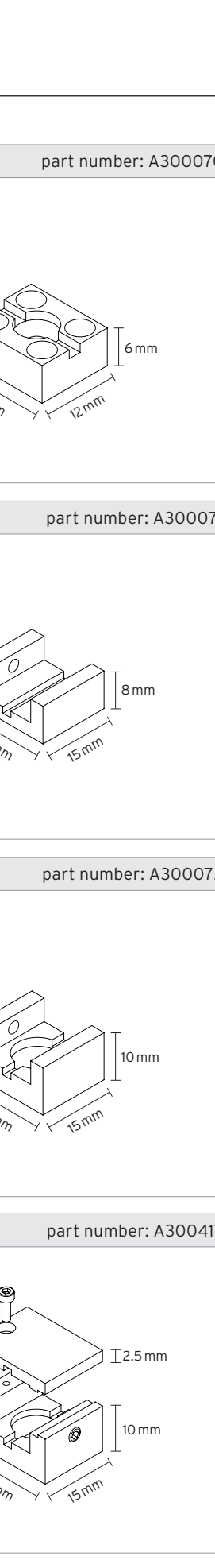
Accessories // Magnetic Tracks


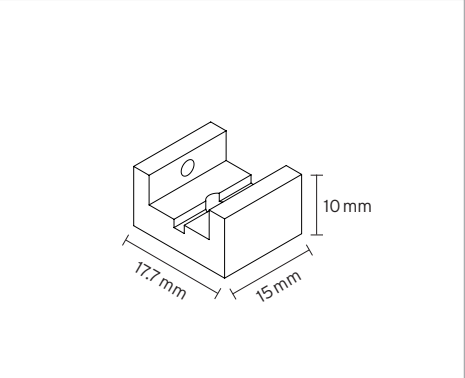
magnetic track		
	<ul style="list-style-type: none"> - material: steel - colours: black, silver, champagne, gold (currently available on request only) - max. profile length 2,000 mm, from 2,000 mm with connector - electrical connection on one or both sides - power input: 12V DC constant voltage - up to 10 spotlights per meter (max. load: 50 W / 2 meters) 	
power supply		
	<ul style="list-style-type: none"> - power supply for magnetic track - colour: black - cable: standard length 3 m, cross section 0.5 mm² (other lengths on request), pre-assembled with banana plug 	
mounting part asymmetric, screw on		
	<ul style="list-style-type: none"> - material: aluminum - colour: anodised matte in black, silver, gold, champagne - attachment to wood: with countersunk screw for wood - attachment to metal: with countersunk screw for metal (M4) - both sides mountable - recommended number per meter: 3 - track secured with locking screw (M3x4) (tightening force 0.3 - 0.5 Nm) 	
mounting part mini, glue on		
	<ul style="list-style-type: none"> - material: aluminum - colour: anodised matte in black, silver, gold, champagne - attachment: glue on (special construction adhesive) - recommended number per meter: 4 	


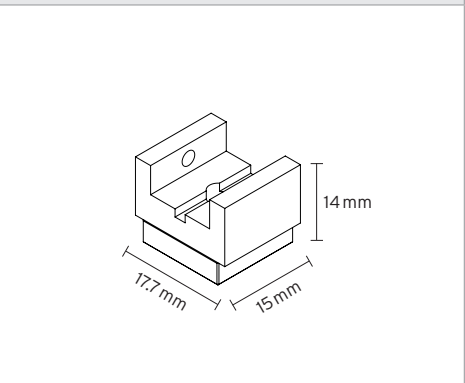
mounting part mini, screw on		part number: A300070
	<ul style="list-style-type: none"> - material: aluminum - colour: anodised matte in black, silver, gold, champagne - attachment to wood: with countersunk screw for wood - attachment to metal: with countersunk screw for metal (M3) <p>- recommended number per meter: 4</p>	


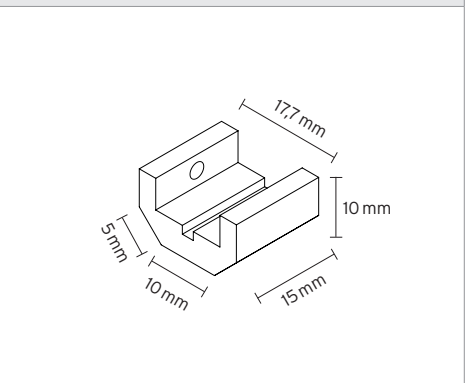
mounting part symmetric, glue on		part number: A300071
	<ul style="list-style-type: none"> - material: aluminum - colour: anodised matte in black, silver, gold, champagne - attachment: glue on (special construction adhesive) <p>- recommended number per meter: 3</p> <p>- track secured with locking screw (M3x4) (tightening force 0.3 - 0.5 Nm)</p>	


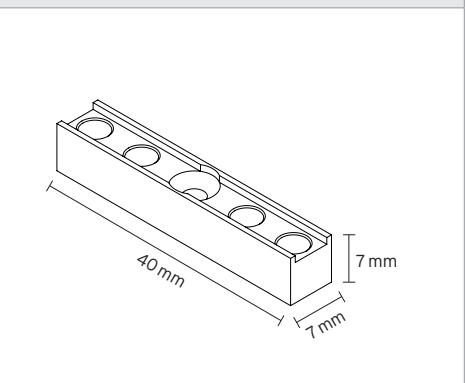
mounting part symmetric, screw on		part number: A300072
	<ul style="list-style-type: none"> - material: aluminum - colour: anodised matte in black, silver, gold, champagne - attachment to wood: with countersunk screw for wood - attachment to metal: with countersunk screw for metal (M4) and suitable washer (plastic) <p>- recommended number per meter: 3</p> <p>- track secured with locking screw (M3x4) (tightening force 0.3 - 0.5 Nm)</p>	

mounting part symmetric, screw on with lock plate		part number: A300417
	<ul style="list-style-type: none"> - material: aluminum - colour: anodised matte in black, silver, gold, champagne - attachment to wood: with countersunk screw for wood - attachment to metal: with countersunk screw for metal (M4) and suitable washer (plastic) <p>- recommended number per meter: 3</p> <p>- track secured with 2 locking screws (M3x4) (tightening force 0.3 - 0.5 Nm)</p>	

mounting part symmetric, with internal thread		part number: A300073
	<ul style="list-style-type: none"> - material: aluminum - colour: anodised matte in black, silver, gold, champagne - attachment to wood or metal: with wood or metal screw - suitable for internal threads (M4) - recommended number per meter: 3 - track secured with locking screw (M3x4) (tightening force 0.3 - 0.5 Nm) 	

mounting part symmetric, magnetic		part number: A300073M
	<ul style="list-style-type: none"> - material: aluminum - colour: anodised matte in black, silver, gold, champagne - attachment to magnetic surfaces - recommended number per meter: 3 - track secured with locking screw (M3x4) (tightening force 0.3 - 0.5 Nm) 	

mounting part corner symmetric, glue on		on request - part number: A300077
	<ul style="list-style-type: none"> - material: aluminum - colour: anodised matte in black, silver, gold, champagne - attachment: glue on (special construction adhesive) - recommended number per meter: 3 - track secured with locking screw (M3x4) (tightening force 0.3 - 0.5 Nm) 	

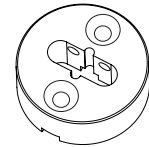
Befestigung mini 90° schraubbar		on request - part number: A300241
	<ul style="list-style-type: none"> - material: aluminum - colour: anodised matte in black, silver, gold, champagne - attachment to wood: with countersunk screw for wood - attachment to metal: with countersunk screw for metal (M4) - recommended number per meter: 4 	

Puck Ø 26 mm, POM, screw on part number: A3000120-S



- material: POM
- colour: in black, grey
- attachment to wood:
with 2 countersunk screws for wood
- attachment to metal:
with 2 countersunk screws for metal (M3)

- track secured with 2 locking screws (M3x4)
(tightening force 0.3 - 0.5 Nm)



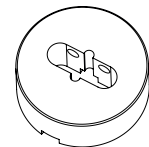
Ø 26 mm / height 10 mm

Puck Ø 26 mm, POM, magnetic part number: A3000120-M



- material: POM
- colour: in black, grey
- attachment to magnetic surfaces

- track secured with 2 locking screws (M3x4)
(tightening force 0.3 - 0.5 Nm)



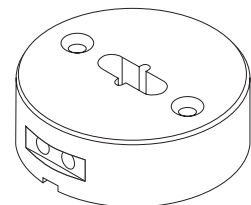
Ø 26 mm / height 10 mm

Puck Ø 45 mm, POM, screw on part number: A3000121-S



- material: POM
- colour: in black, grey
- attachment to wood:
with 2 countersunk screws for wood
- attachment to metal:
with 2 countersunk screws for metal (M3)

- track secured with 2 locking screws (M3x4)
(tightening force 0.3 - 0.5 Nm)



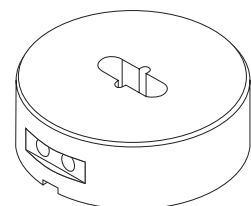
Ø 45 mm / height 16 mm

Puck Ø 45 mm, POM, magnetic part number: A3000121-M


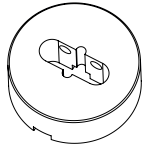



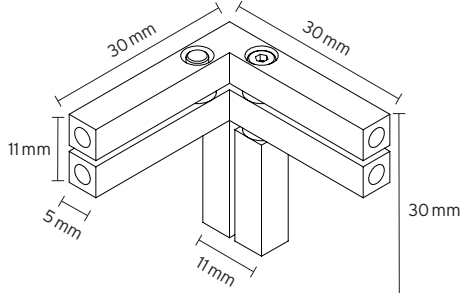
- material: POM
- colour: in black, grey
- attachment to magnetic surfaces


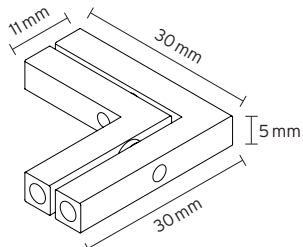
- track secured with 2 locking screws (M3x4)
(tightening force 0.3 - 0.5 Nm)


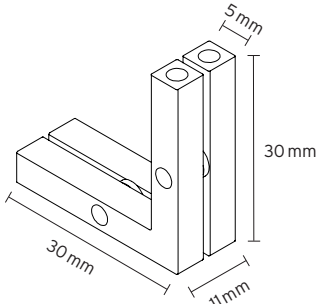


Ø 45 mm / height 16 mm

Puck Ø 26 mm, aluminum, magnetic		part number: A300079-M
	<ul style="list-style-type: none"> - material: aluminum - colour: anodised matte in black, silver, gold, champagne - attachment to magnetic surfaces 	 <p>Ø 26 mm / height 10 mm</p>
<ul style="list-style-type: none"> - track secured with 2 locking screws (M3x4) (tightening force 0.3 - 0.5 Nm) 		

Y-connector		part number: A300396
	<ul style="list-style-type: none"> - material: aluminum - colour: anodised matte in black, silver, gold, champagne - 2 variants (mirrored) - mounting: banana plugs 	

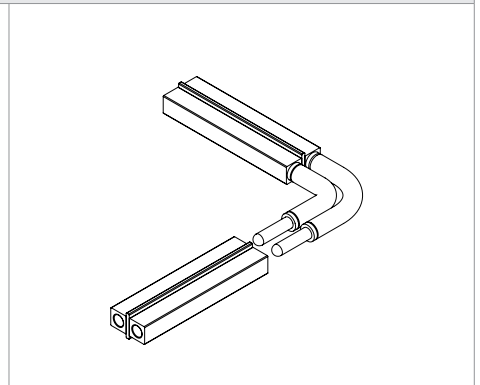
corner connector horizontal		part number: A300403
	<ul style="list-style-type: none"> - material: aluminum - colour: anodised matte in black, silver, gold, champagne - mounting: banana plugs 	

corner connector vertical		part number: A300404
	<ul style="list-style-type: none"> - material: aluminum - colour: anodised matte in black, silver, gold, champagne - mounting: banana plugs 	

corner connector flexible part number: A500501



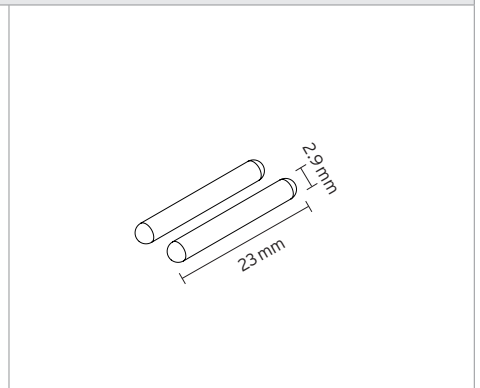
- double-sided plug contact with double-core cable, soldered
- cable cross-section 2 x 0.5 mm²
- standard length 27 mm and 37 mm (length adjustable on request)



connector straight part number: A301860



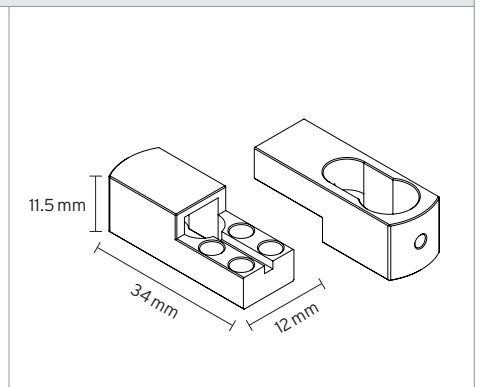
- double banana plugs
- double-sided banana plug contact, recessed in the magnetic track



adapter for showcase installation on request - part number: A300087



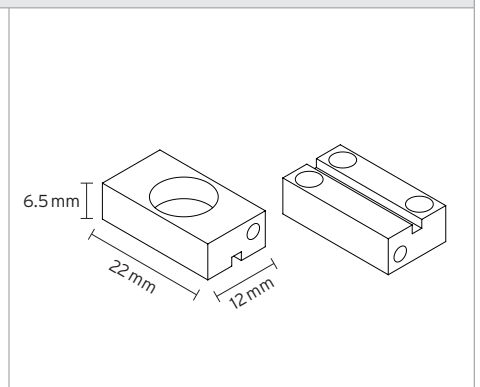
- material: aluminum
- colour: anodised matte in black, silver, gold, champagne
- adapter incl. support tube (Ø 10 mm) and mounting set (flange and nut)
- max. length of magnetic track 1.20 m (without central support)


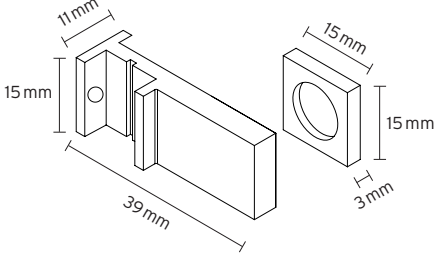
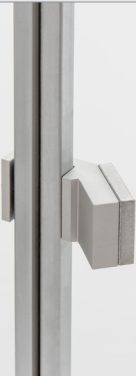
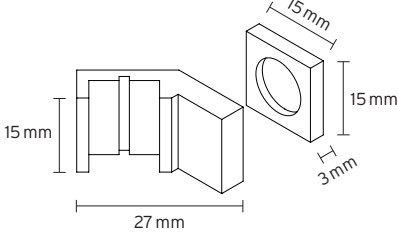



central support for showcase installation on request - part number: A300088



- material: aluminum
- colour: anodised matte in black, silver, gold, champagne
- holder incl. support tube (Ø 10 mm) and mounting set (flange and nut)
- recommended from a length of 1.20 m to prevent the magnetic track from sagging



mounting part glass		on request - part number: A300089
	<ul style="list-style-type: none"> - material: aluminum - colour: anodised matte in black, silver, gold, champagne - holder in a set with steel plate - attachment to glass: glue the steel plate to the glass and attach the holder to it magnetically - recommended number per meter: 2 - track secured with locking screw (M3x4) (tightening force 0.3 - 0.5 Nm) 	
mounting part glass 45°		on request - part number: A300090
	<ul style="list-style-type: none"> - material: aluminum - colour: anodised matte in black, silver, gold, champagne - holder in a set with steel plate - attachment to glass: glue the steel plate to the glass and attach the holder to it magnetically - recommended number per meter: 2 - track secured with locking screw (M3x4) (tightening force 0.3 - 0.5 Nm) 	
glass shelf holder		on request - part number: A300075
	<ul style="list-style-type: none"> - material: aluminum - colour: anodised matte in black, silver, gold, champagne - attachment to magnetic track: with 2 screws (M3) incl. 	